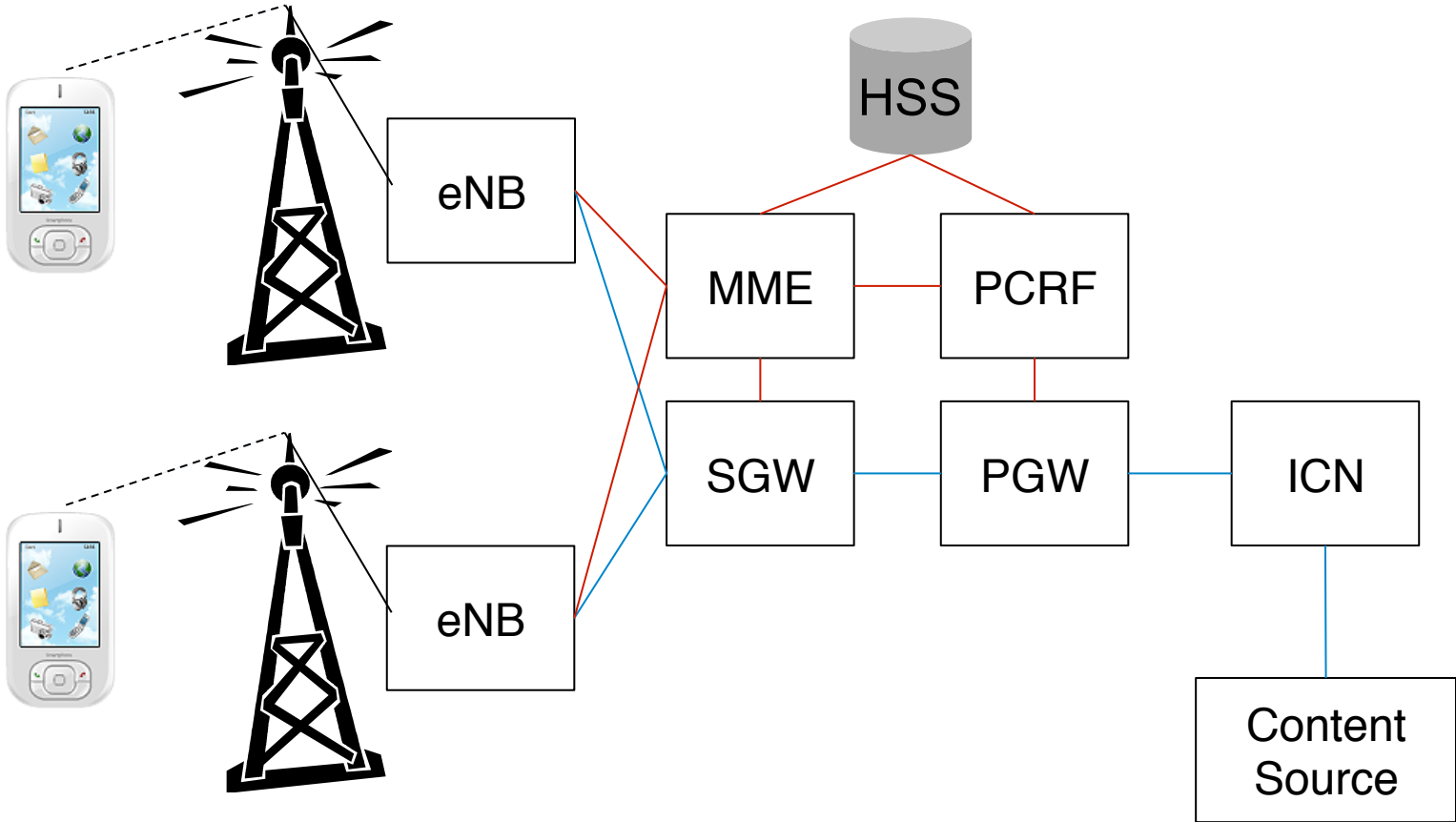


5G-Infrastructure-PPP Information Day Paris, April 28, 2014

Integration of ICN and Future Cellular Networks

Torsten Braun, André Gomes, Zhongliang Zhao
Universität Bern, Switzerland
braun@iam.unibe.ch, cde.unibe.ch

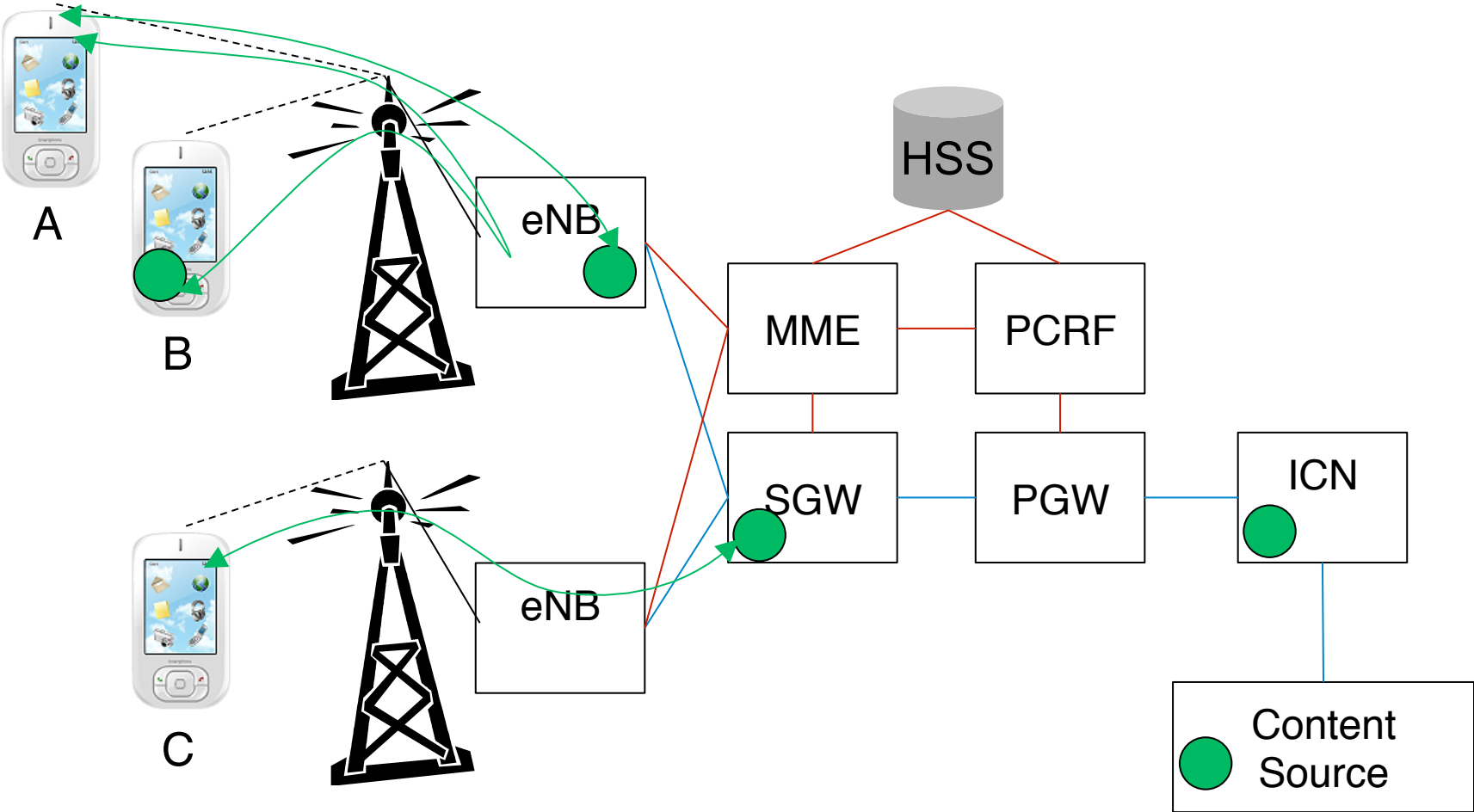
ICN in 4G



ICN / Cellular Network Integration

- > Problem
 - 4G network equipment is not ICN aware, i.e., no caching of contents
 - ICN content requests travel through core network (EPC)
- > Possible solution
 - use ICN messages for finding content and use SDN to establish flows between source
 - make cellular radio and core network elements (e.g., 5G) ICN capable
 - caching of contents
 - interception / analysis of content requests
 - serving of requests from cache
- > Issues
 - Cache management
 - Content discovery

ICN in 5G ?



Thanks for your attention !

-
- > braun@iam.unibe.ch, zhao@iam.unibe.ch
 - > cds.unibe.ch