



OKAN TEKNO ARGE A.Ş.

Sunsidary of Okan University & Okan Foundation

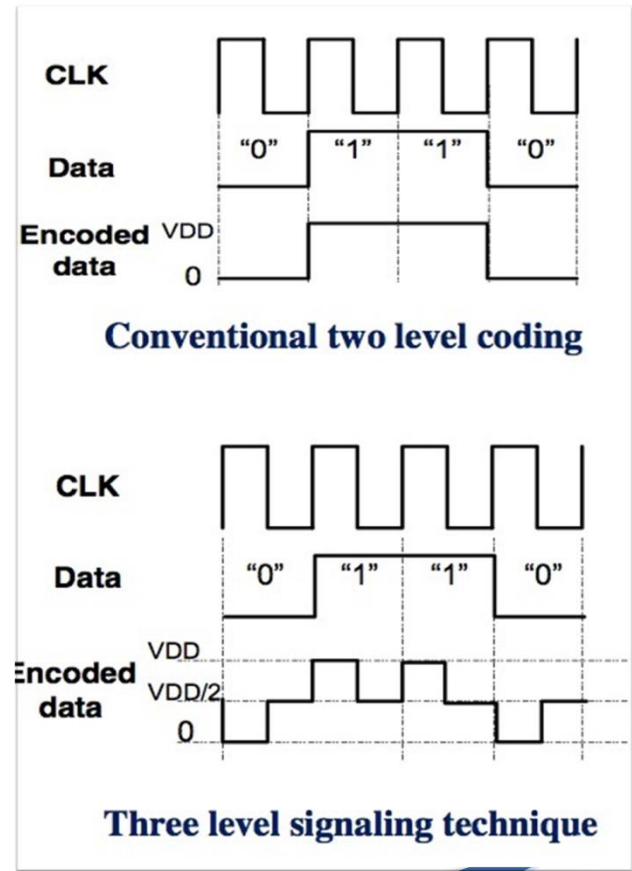
Bülent ERBAŞ
April, 28th, 2014

All Optics PCB

- Optical PCB Routing
- Silicone Photonics
- Light Spectrums instead of voltage levels

Copper based data communication over PCB is limited to **10 Gbps** ;

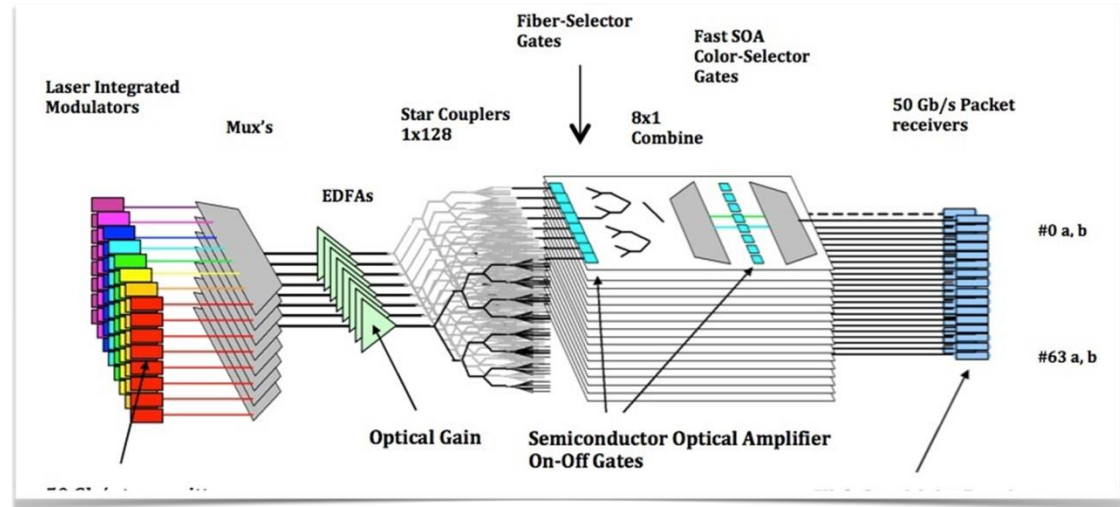
Data communication channels can be easily and drastically increased by factor of 8



Terabit Optical Bus

- High Capacity Server Farms Bottleneck
- The key to speed-up optical data link

low-latency 64x64 optical cell switch based of fiber and color select function with SOAs



Mixing multi light wavelengths on a single channel



OKAN TEKNO ARGE A.Ş.

Contact Details;

Email: erbasb@gmail.com

Mobile : +90-552-509-2424